

Concept

An imager scanner to realize smooth scanning of 1D and 2D bar codes such as QR Code, PDF417, JAN and EAN which are the standard in the automatic identification apparatus industry.



Product Features

High-rate and High-sensitivity MegaPixel CMOS Image Sensor

Achieved a high frame rate (30fps) by the adoption of specially customized CMOS image sensor, it is possible to process an image of 1.3 million pixels as quickly as a VGA class CMOS sensor. It is possible to scan in images at wide angle and at high resolution with this image sensor.

The World Highest Level Image Processing Speed

The adoption of a high-speed ASIC enabled a quick response (as quick as a response of a VGA class) by processing vast amount of information transferred from the megapixel CMOS image sensor in a very short time.

Weight only 130 grams. A Compact and Light Gun-type Bar Code Scanner.

Pursued reductions of the size and weight to realize considerably light weight for a gun-type bar code scanner. Its design goes well with other appliances such as a personal computer and it is suitable for the use in shops and offices.

Various Interfaces

Four interfaces, RS232C, Keyboard Wedge, USB (HID), and USB (VCP), are supported. Command communication from the host can be performed through USB (VCP).

CABLED

WIRELESS

STATIONED

OEM

OPI-2001 Specifications

Electric and Interface Specifications

Power Supply Voltage	DC 6.0V +/- 10%
Interface	RS232C,Keyboard wedge,USB (HID/VCP)

Optical Specifications

Light Source	4 red LEDs (630 nm)
Target Indicator	2 green LEDs (527 nm)
View Angle	Horizontal: 43, Vertical: 37.5 (deg.)
Reading Pitch Angle	-72 -0 degrees , 0 - 72 degrees
Reading Skew Angle	-71-0degrees ,0-71degrees
Reading Tilt Angle	360degrees
Curvature	R >= 15 mm (JAN8) R >= 20 mm (JAN13)
Min. PCS Value	0.45
Min. Resolution	0.127 mm (CODE-39, PDF417) 0.169 mm (QR code, Data Matrix)

Supported Linear (1D) Symbologies

EAN, JAN, UPC-A, UPC-E, Industrial 2 of 5,
IATA, Interleaved 2 of 5, NW-7 (CODABAR), Code-39,
Code-93, Code-128, MSI/Plessey, RSS Code*1

Supported 2D Symbologies

PDF417, Micro PDF417, QR Code, Micro QR
Data Matrix (ECC 0-140/ECC200), Maxi Code (mode 2-5)
Aztec Code, Composite Code*2

Environmental Specifications

Operating Temperature	-20 - 50 degrees C
Storage Temperature	-25 - 70 degrees C
Operating Humidity	5 - 95% RH (Non condensing)
Storage Humidity	5 - 95% RH (Non condensing)
Ambient Light Immunity	Fluorescent Light: 10,000 lx max. Sun Light: 100,000 lx max.
Shock Drop Test	1.8 m (Drop onto concrete surface)

Physical Specifications

Weight	130 g
--------	-------

Regulatory

RoHS *3
VCCI Class B
CE

Bundled Items

AC Adapter (RS232C, Keyboard wedge)

Accessories (Sold separately)

Dedicated Stand

*1 RSS Code

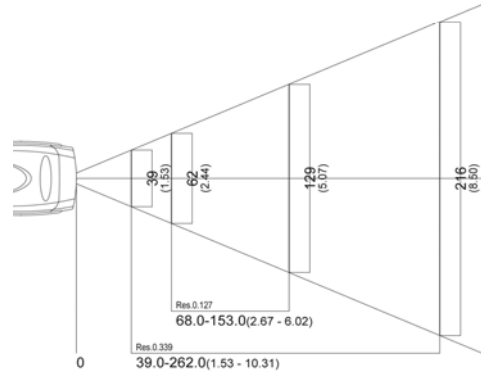
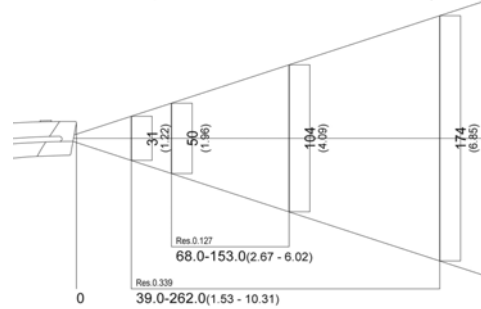
RSS-14 (Standard/Truncated/Stacked/Stacked Omni-directional)
RSS Limited,RSS-Expanded (Standard/Stacked)

*2 Composite Code

EAN/UPC CC-A/CC-B,EAN-128/UCC CC-A/CC-B/CC-C
RSS CC-A/CC-B

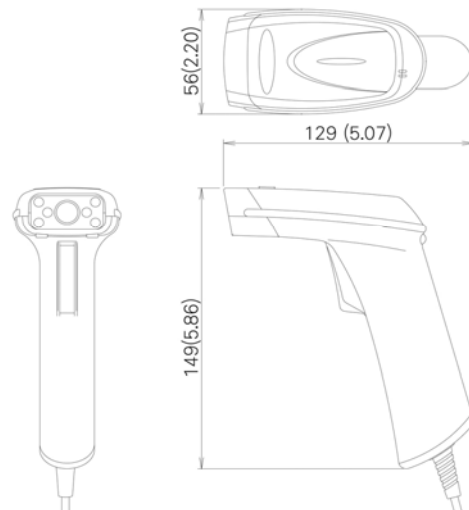
Field of view (PDF417)

Unit: mm (inches)



Dimensions

Unit: mm (inches)



*3 RoHS

This document is to notify that this product does not use any material, components, or parts which are restricted under RoHS. However, this document does not have any legal weight in EU.

All figures and values stated herein are measured with our original standards. Please refer to specifications for guaranteed values. All statements, figures and values stated herein are subject to change without prior notification.